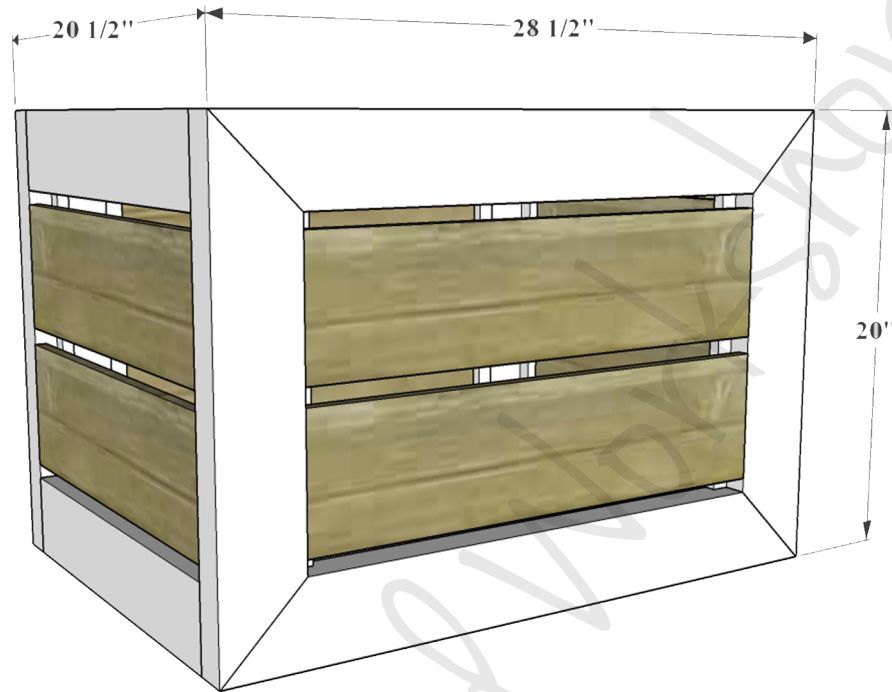


Hay Feeder/Trough Plans



Materials:

- 4 - 2x4x8
- 2 - 1x6x8 fence pickets

Cut List:

Small Feeder:

- 4 - 2x4 @ 28 1/2" both ends mitered at 45 degrees off square, ends not parallel (top and bottom of long sides)
- 4 - 2x4 @ 16" both ends mitered at 45 degrees off square, ends not parallel (sides of long sides)
- 4 - 2x4 @ 17 1/2" (top and bottom of short sides)
- 8 - 1/2" x 3/4" (fence picket ripped down to 3/4") @ 8 1/2"
- 3 - 1x6 @ 21 1/2" fence pickets (one ripped in half) cedar long sides
- 3 - 1x6 @ 17 1/2" fence pickets (one ripped in half) cedar short sides

Medium Feeder:

- 4 - 2x4 @ 28 1/2" both ends mitered at 45 degrees off square, ends not parallel (top and bottom of long sides)
- 4 - 2x4 @ 18" both ends mitered at 45 degrees off square, ends not parallel (sides of long sides)
- 4 - 2x4 @ 17 1/2" (top and bottom of short sides)
- 8 - 1/2" x 3/4" (fence picket ripped down to 3/4") @ 10 1/2"

cut list (cont.)

- 4 - 1x6 @ 21 1/2" fence pickets (one ripped in half) cedar long sides
- 4 - 1x6 @ 17 1/2" fence pickets (one ripped in half) cedar short sides

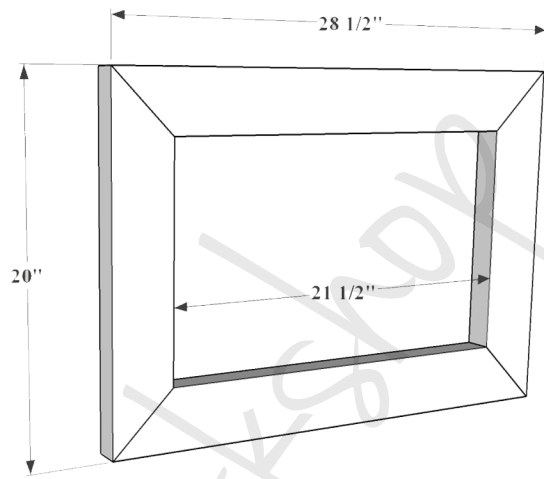
Large Feeder:

- 4 - 2x4 @ 28 1/2" both ends mitered at 45 degrees off square, ends not parallel (top and bottom of long sides)
- 4 - 2x4 @ 20" both ends mitered at 45 degrees off square, ends not parallel (sides of long sides)
- 4 - 2x4 @ 17 1/2" (top and bottom of short sides)
- 8 - 1/2" x 3/4" (fence picket ripped down to 3/4") @ 12 1/2"
- 4 - 1x6 @ 21 1/2" fence pickets (one ripped in half) cedar long sides
- 4 - 1x6 @ 17 1/2" fence pickets (one ripped in half) cedar short sides

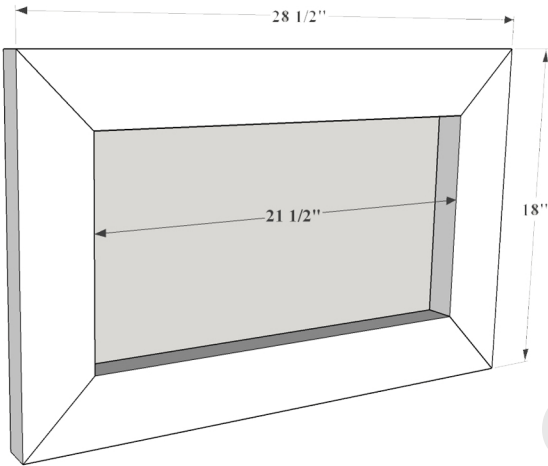
Step 1:

Build the long front and back frames (the one with mitered corners). All of the sizes of hay feeders are built the same, the height is the only thing that changes on the small, medium, and large. So depending on which size you are building you will need - 2 - 2x4 @ 28 1/2" (top and bottom) and 2 - 2x4 @ whichever height you are using...16", 18", or 20". Using wood glue on the mitered corners, just screw straight through the sides into the top. Hope that makes sense, make sure and visit the blog post to see actual photos if you need additional help!

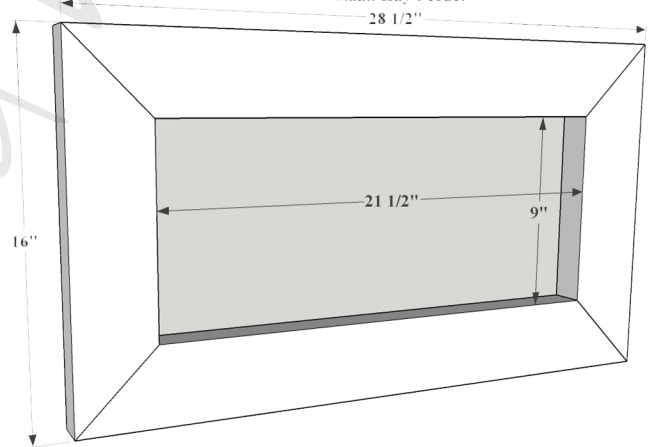
Large Hay Feeder



Medium Hay Feeder



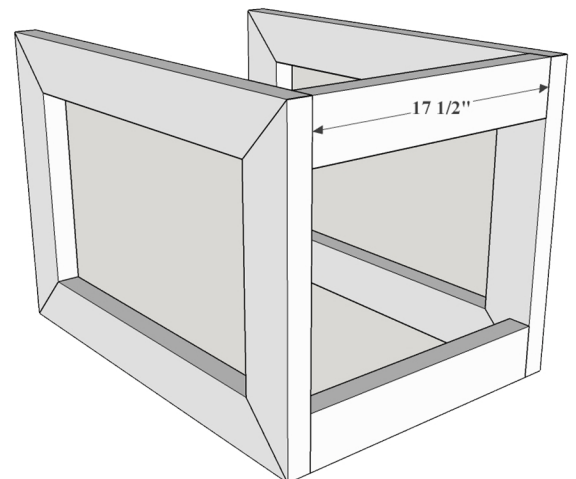
Small Hay Feeder



Step 2:

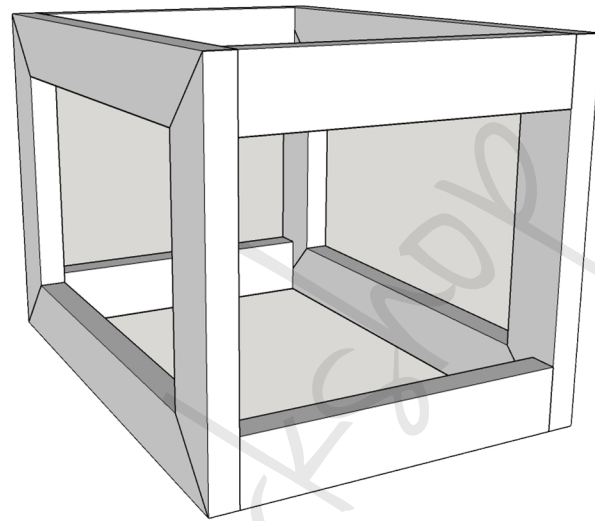
Once you have the front and back frame built from step 1 for whichever size you are building, connect the front and back frames with the 4 - 2x4 @ 17 1/2". I just drilled straight through the front and back frames and into the 2x4s to attach. Make sure and use wood glue.

Large Hay Feeder



Step 2 (cont.)

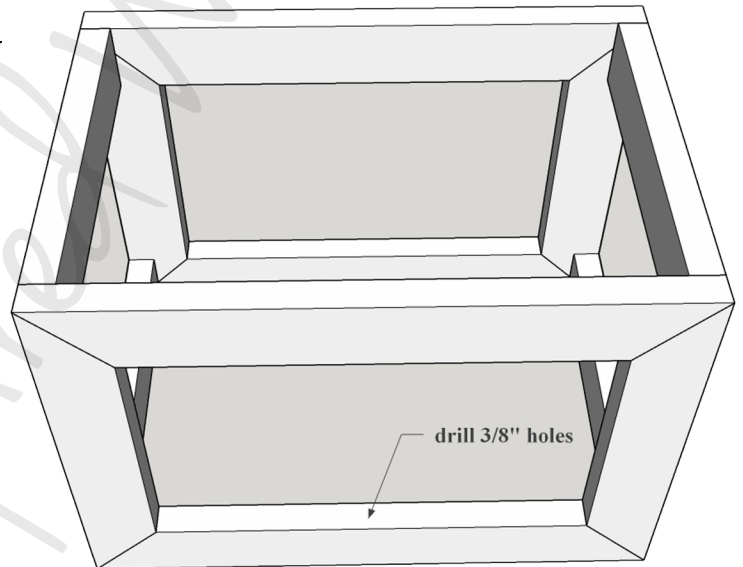
I painted the feeders at this point so that I wouldn't have to be careful of the cedar boards! I used white exterior paint straight off the shelf!



Step 3:

Drill $3/8$ " holes for trampoline wind stakes, or some type of ground attachment so that the goats don't knock them over. Make sure they are drilled on all four boards, and make sure they are to the inside so they aren't blocked by the fence pickets that will be added in the next few steps.

Large Hay Feeder

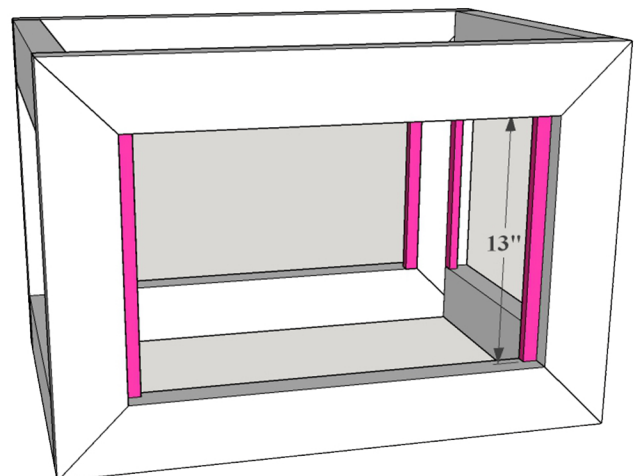


Step 4:

Add small pieces of fence pickets (that are ripped down to $3/4$ "") to the inside of the 2x4 frame, use $1\ 1/2$ " screws to attach, you can use wood glue here if you didn't paint yet, if you already painted as I did, wood glue won't adhere well! The screws should be enough...I'll update if not! Lol!

These small boards will change size on the different sizes of feeders.

Large Hay Feeder



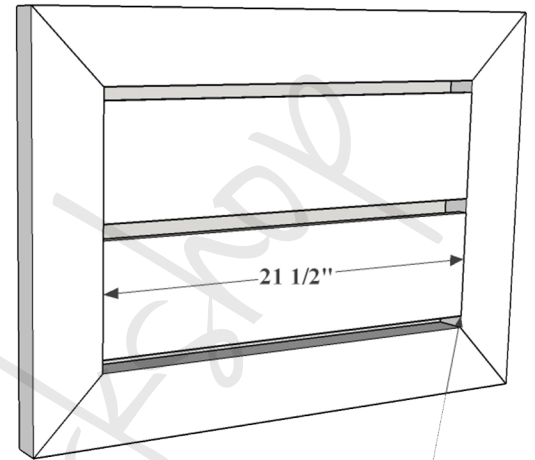
Large Hay Feeder

Step 5:

Add the fence pickets to close in the hay feeder, you could leave it open and it will work perfectly fine, but if your goats are butt heads like mine, they will end up dumped over in their pins every day! Lol! Use wood glue and 1 1/4" screws to attach.

The fence pickets will all be the same length no matter which size you are building, but the spacing between them will change, and on the small one, you will need to rip a fence picket in half!

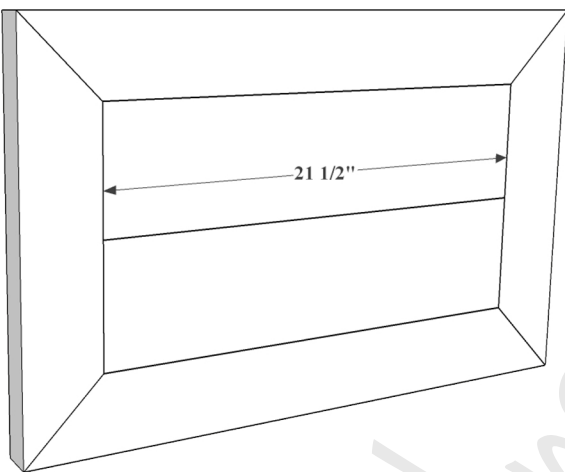
Spacing on the large hay feeder is roughly 5/8" so using a scrap piece of fence picket works well!



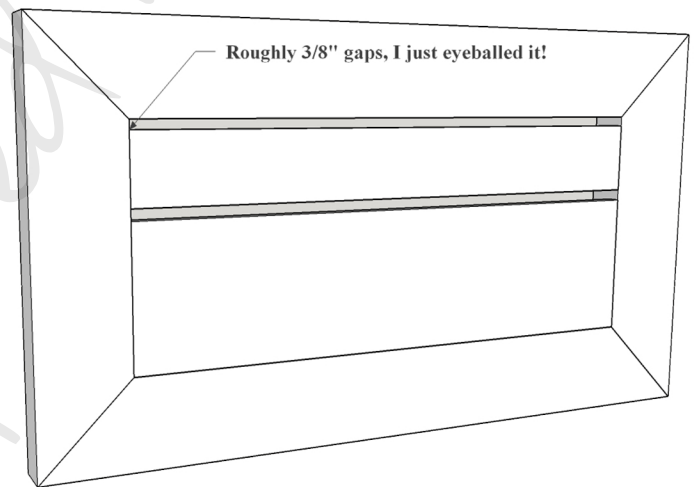
Use scrap fence picket as spacer on top and bottom!

I sealed the fence pickets with spar urethane before adding them to the hay feeders so I didn't get the spar urethane on the white paint!

Medium Hay Feeder



Small Hay Feeder

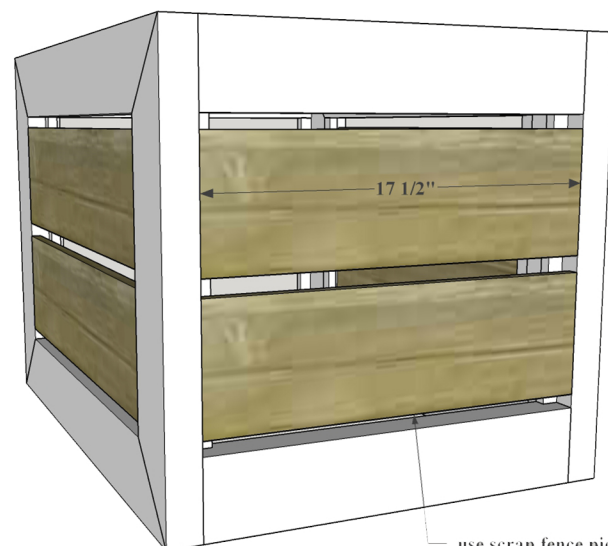


Step 5 (cont):

Add the fence pickets on the short sides as well! The sides of the small and medium will be the same as above, just using 17 1/2" boards!

The hay feeder is done! Throw your tub inside, place it where you want, and drive your stakes into the ground! Start feeding your goats in style!

Large Hay Feeder



use scrap fence picket to space top and bottom