

DIY Round Side Table



Materials:

- 3 - 2x3x8
- 1 - 3/4" 2x2 plywood

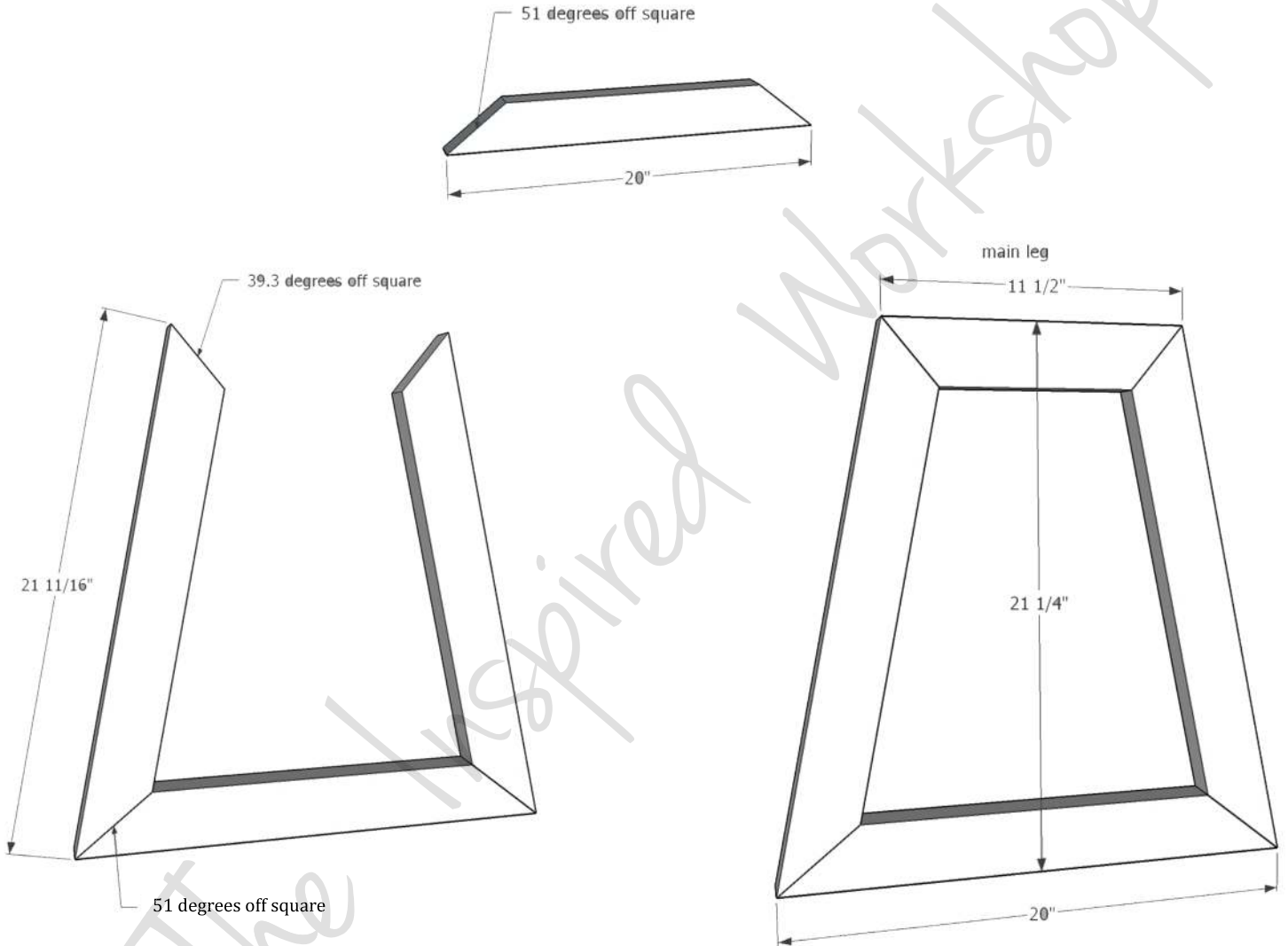
Cut List:

- 1 - 2x3 @ 20" ends mitered at 51 degrees off square, ends not parallel
- 1 - 2x3 @ 11 1/2" ends mitered @ 39.3 degrees off square, ends not parallel
- 6 - 2x3 @ 21 11/16" ends mitered on one end @ 51 degrees off square, and opposite end mitered @ 39.3 degrees off square...ends not parallel (measurement of the longest end)
- 4 - 2x3 @ 9 5/8" one end mitered @ 51 degrees off square, and one end beveled @ 30 degrees off square (measurement of the longest end)
- 4 - 2x3 @ 5 1/2" one end mitered @ 39.3 degrees off square, and one end beveled @ 30 degrees off square (measurement of the longest end)
- 3/4" plywood cut in a 22" circle

Step 1:

Build the main leg of the table base.

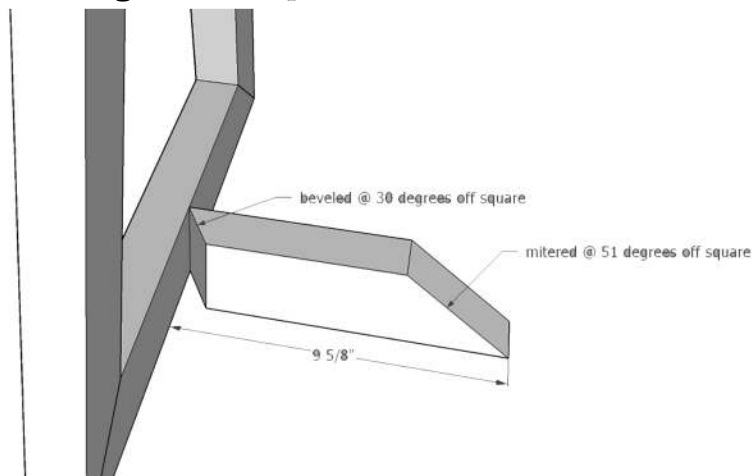
Use the 1 - 2x3 @ 20" with both ends mitered at 51 degrees off square. (bottom of leg), 2 - 2x3s @ 21 11/16" one end mitered at 51 degrees of square and the opposite end mitered at 39.3 degrees off square (sides of legs), and 1 - 2x3 @ 11 1/2" with both ends mitered at 39.3 of square (top of leg) to assemble the leg. Using wood glue and screws, screw the boards together from the top and bottom so they are hidden. See post for extra help.



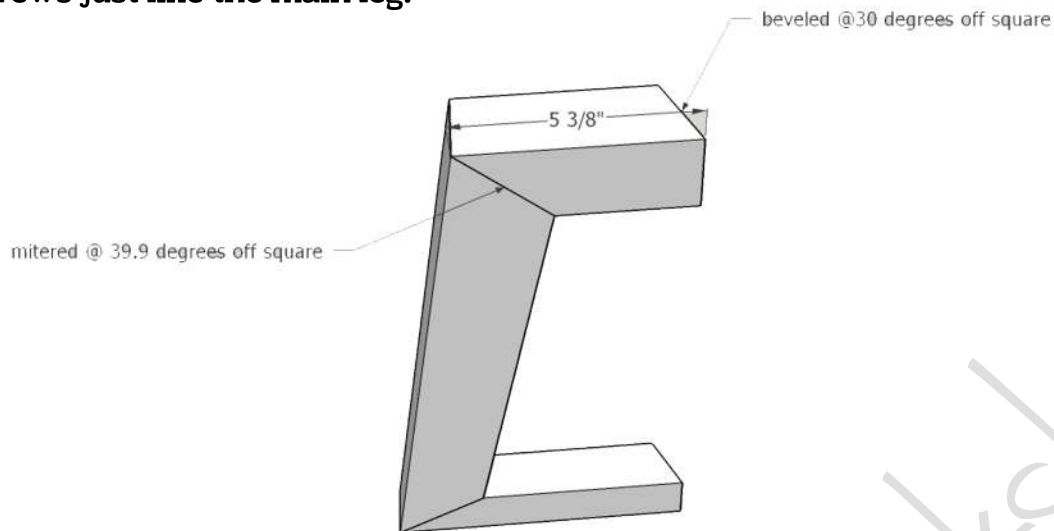
Step 2:

Build the additional legs to add to the main leg.

Cut the bottom pieces. Bottom pieces are the 2x3s @ 9 5/8" mitered on one end at 51 degrees off square and other end beveled at 39.3 degrees off square.

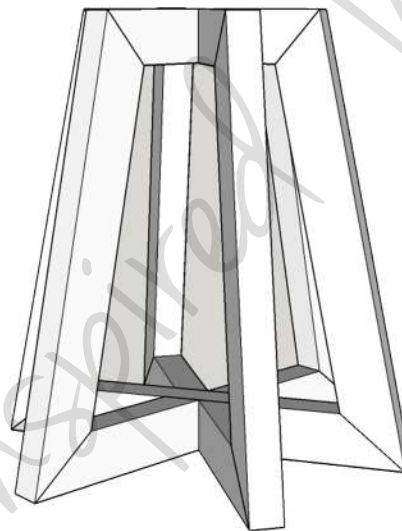


Cut the top 2x3s. Attach the top, bottom and beveled boards to the mitered leg board with glue and screws just like the main leg.



Step 3:

Attach the additional legs to the main leg. Use wood glue and screws. See the blog post if you need more info on this!



Step 4:

Cut the circle for the top of the table. Once you have the top painted or epoxy coated as you want, flip the table base over and attach the top. There are plenty of pics in the blog post to help if a step isn't clear!

