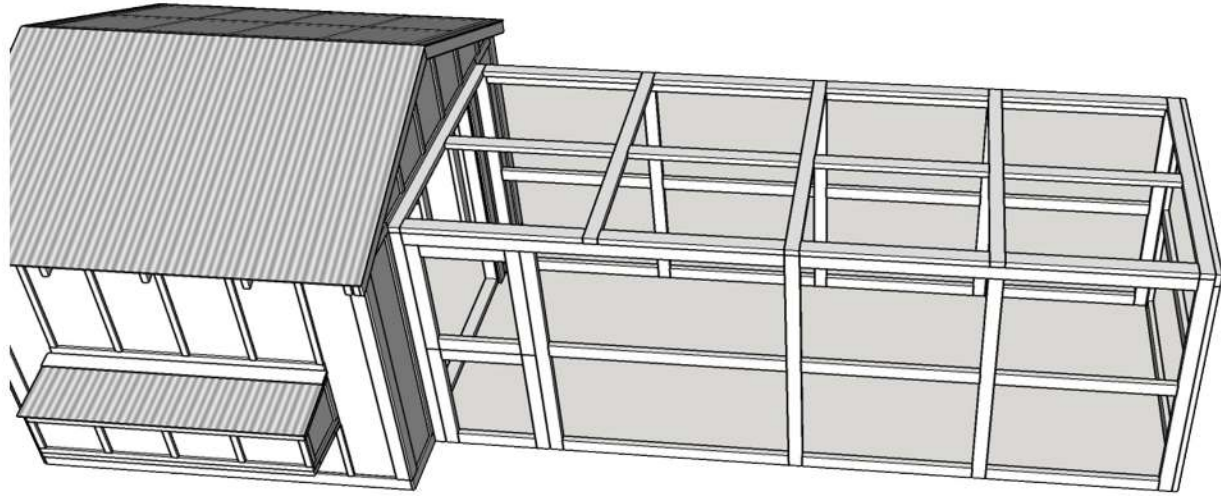


DIY Chicken Coop Run Plans



Materials:

-18 - 2x4x8

-11 - 2x4x12 (or if you don't have the means to transport 12 foot boards, like me, you will need an additional 22 - 2x4x8s for a grand total of 40!)

-1/2" or 1/4" Hardware cloth - 36" x 108'

Cut List:

Door wall:

-2 - 2x4 @ 90 3/4" top rails

-2 - 2x4 @ 59 1/4" middle and bottom rails by the door

-4 - 2x4 @ 33 3/8" door

-4 - 2x4 @ 20 3/4" door

-4 - 2x4 @ 43 5/8" middle and bottom rails

-3 - 2x4 @ 70 1/2" vertical stiles

-2 - 2x4 @ 67" vertical stiles

(optional 2x4 @ 28" see building the door wall of the run)

Back Side Wall

-2 - 2x4 @ 90 3/4" top rails

-3 - 2x4 @ 70 1/2" vertical stiles

-2 - 2x4 @ 67" vertical stiles

-8 2x4 @ 43 5/8" middle and bottom rails

End Wall

-1 - 2x4 @ 72" top rail

-2 - 2x4 @ 68 1/2" side stiles

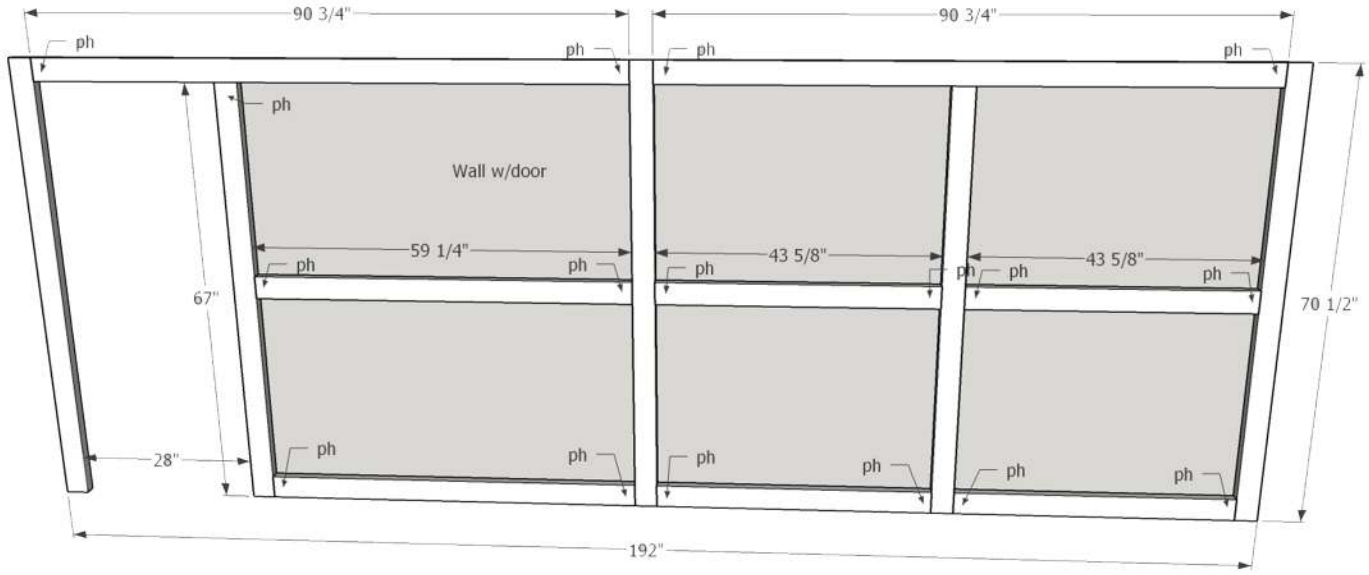
-2 - 2x4 @ 65" middle and bottom rails

Roof

-5 - 2x4 @ 72"

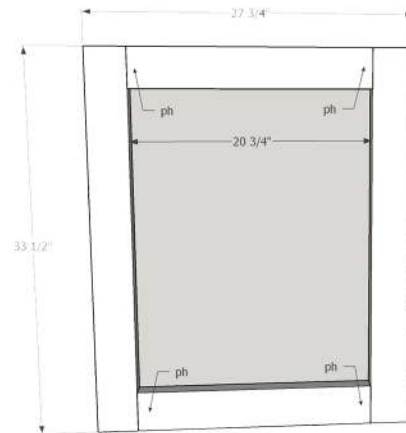
-12 - 2x4 @ 43 5/8"

Step 1:
 Build the door wall of the run. The letters ph denotes where you need to drill pocket holes. All pocket holes on the run will be drilled at 1 1/2" depth and will use 2 1/2" screws to attach, Make sure and use wood glue!



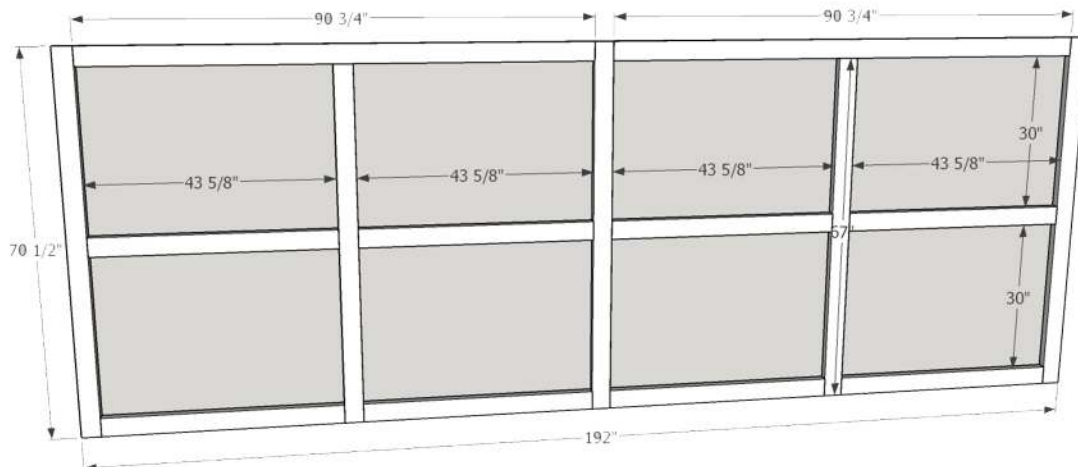
*See blog post if you want to add a 28" board across the bottom opening of the doorway.

Step 2:
 Build the double doors. Again, see blog post if you place board across the opening of the doorway, as you will need to adjust door measurements!

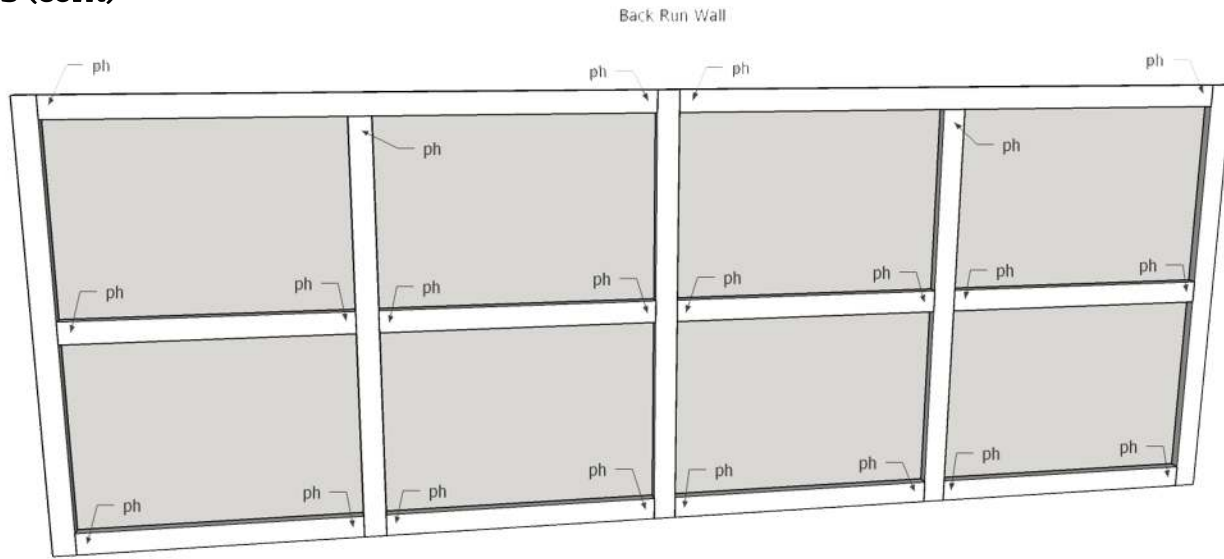


Step 3:
 Build the back run wall.

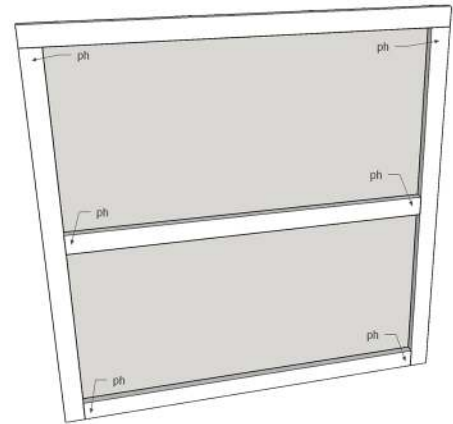
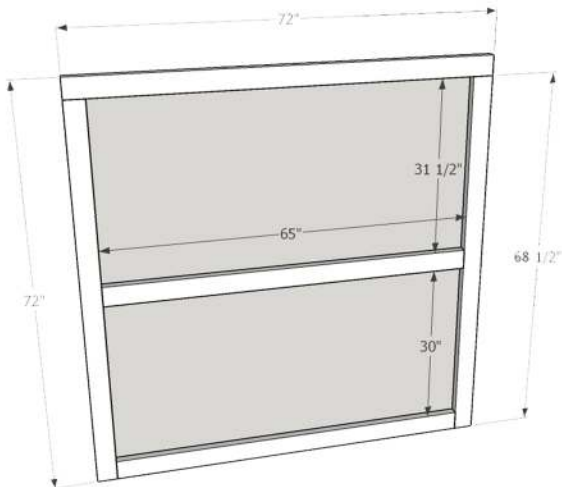
Back Run Wall



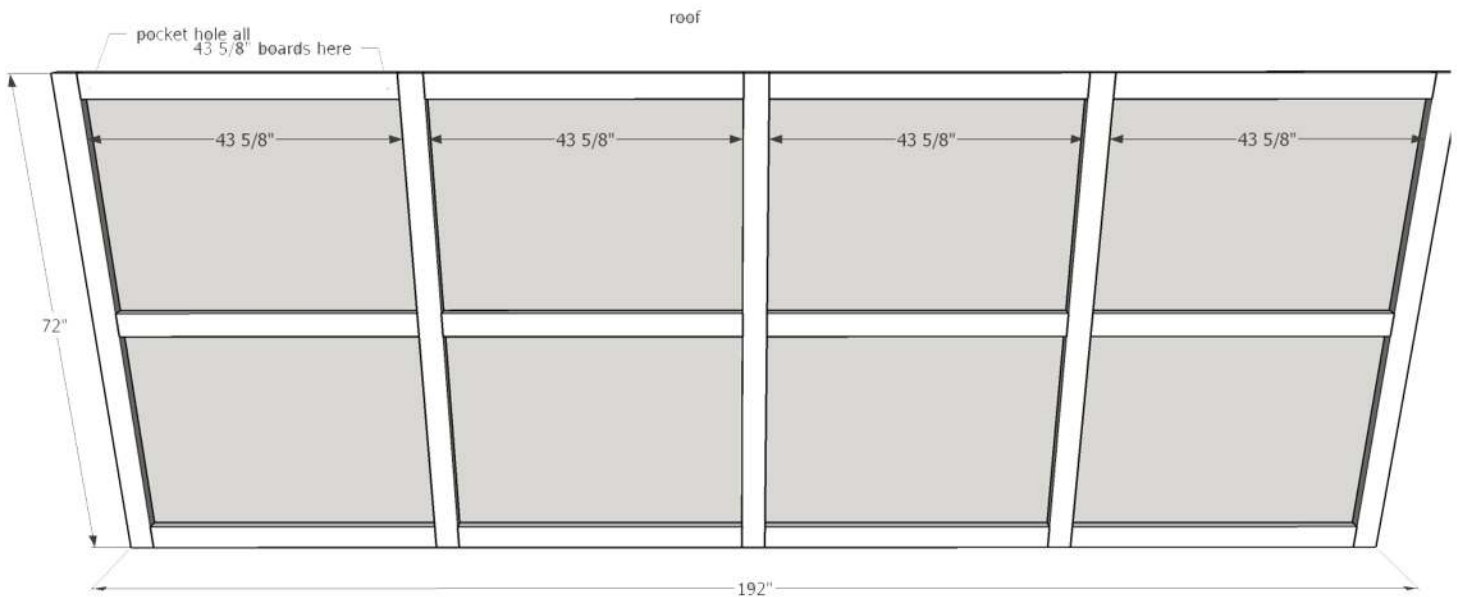
Step 3 (cont)



Step 4: Build the end wall of the run.

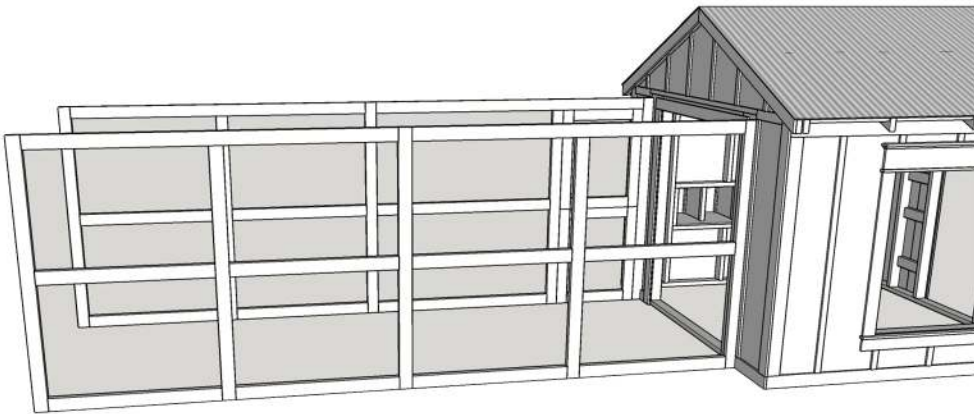
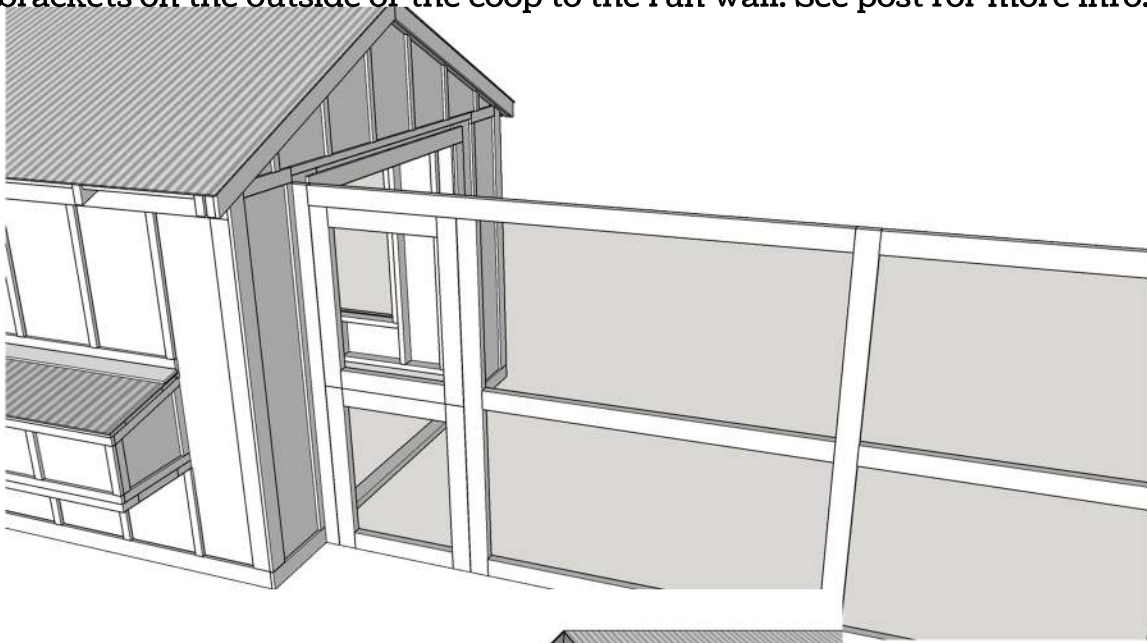


Step 5: Build the roof of the run.



Step 6:

Attach the run walls to the coop. Screw from the inside of the coop into the run boards. Then use angle brackets on the outside of the coop to the run wall. See post for more info.



When attaching the end wall and the roof, screw straight through the 2x4s of the end wall and roof into the run walls.

