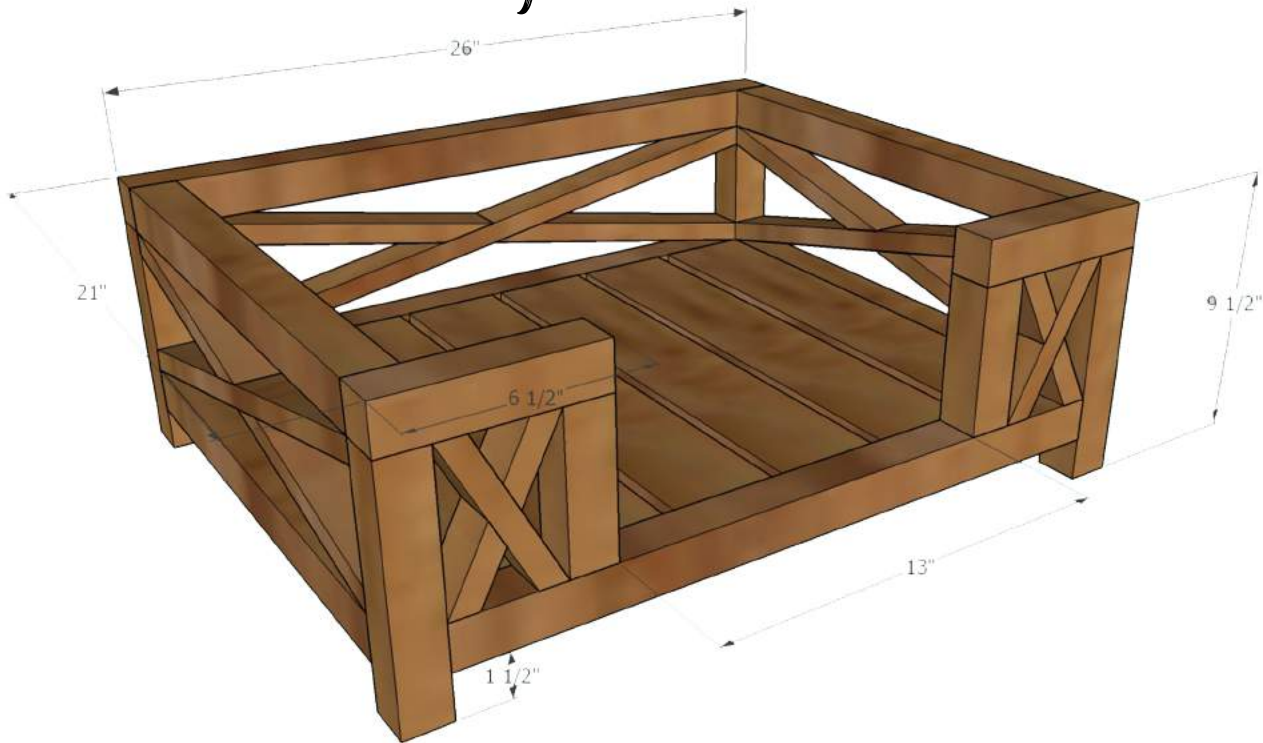


Small Dog Bed Plans (23x18 cushion)



Materials List:

- 3 - 2X2X8
- 1 - 1X4X10
- 2 - 1X2X8

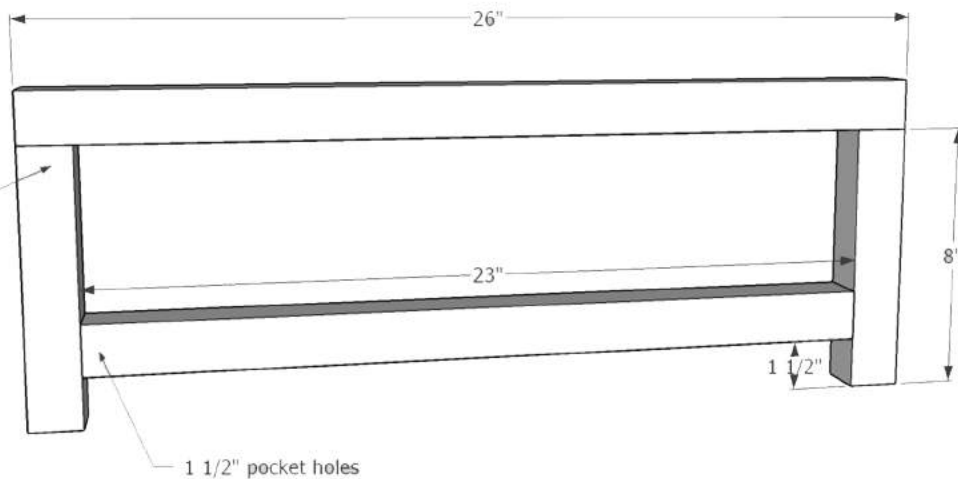
Cut List: (I advise cutting as you go since angles can get tricky, and the tiniest measurement off will affect them)

- 1 - 2X2 @ 26"
- 2 - 2X2 @ 23"
- 4 - 2X2 @ 18"
- 4 - 2X2 @ 8"
- 2 - 2X2 @ 6 1/2"
- 2 - 2X2 @ 5"
- 6 - 1X4 @ 18"
- 1 - 1X2 @ 23 25/64" (back x - solid piece) ends mitered @ 10.5 degrees off square, ends parallel
- 2 - 1X2 @ 11 11/16" (back x - pieces) one end mitered at 10.5 degrees off square and other end mitered at 69 degrees off square
- 2 - 1X2 @ 18 31/64" (side x - solid piece) ends mitered at 13 degrees off square, ends parallel
- 4 - 1X2 @ 9 1/4" (side x - pieces) one end mitered at 13 degrees off square, other end mitered at 64 degrees off square
- 2 - 1X2 @ 5 5/8" (front x - solid piece) ends mitered at 27 degrees off square, ends parallel
- 4 - 1X2 @ 2 13/16" (front x - pieces) one end mitered at 27 degrees off square and the other end at 36 degrees off square

Step 1:

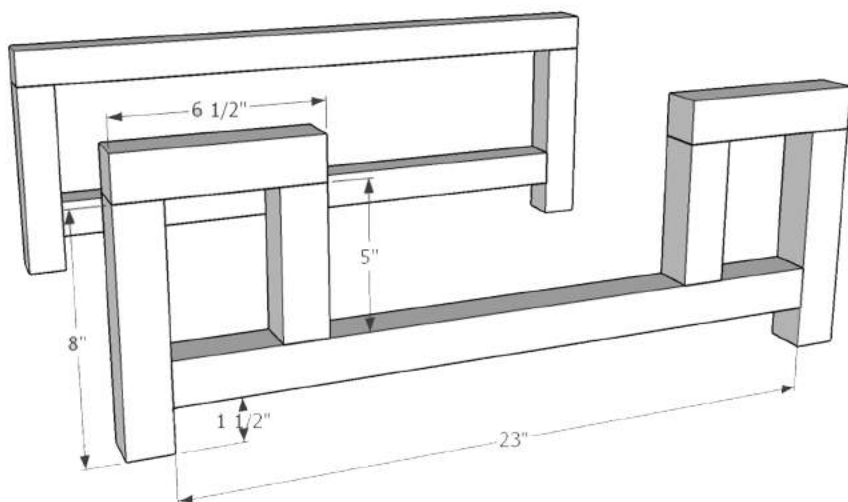
Build the back panel. Use pocket holes drilled at a depth of 1 1/2" and 2 1/2" screws to attach. Make sure and use wood glue on ALL joints of this bed. If your dog bed is going to be outside, make sure your wood glue is for outdoor use!

1 1/2" pocket holes



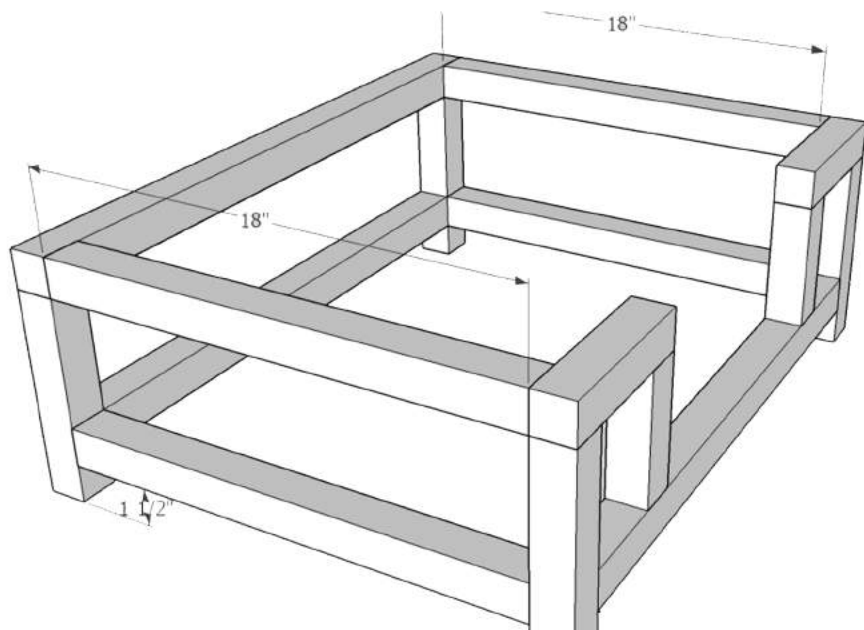
Step 2:

Build the front panel of the dog bed. Pocket holes will be the same as step one. Refer to the post if you need help with pocket hole placement.



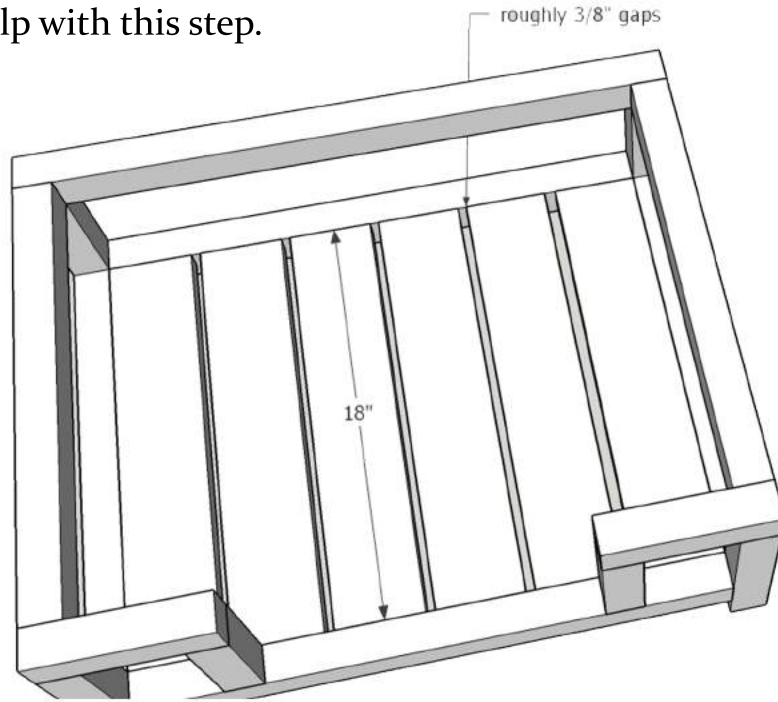
Step 3:

Attach the front panel to the back panel with 2x2s @ 18". Pocket holes the same as step 1.



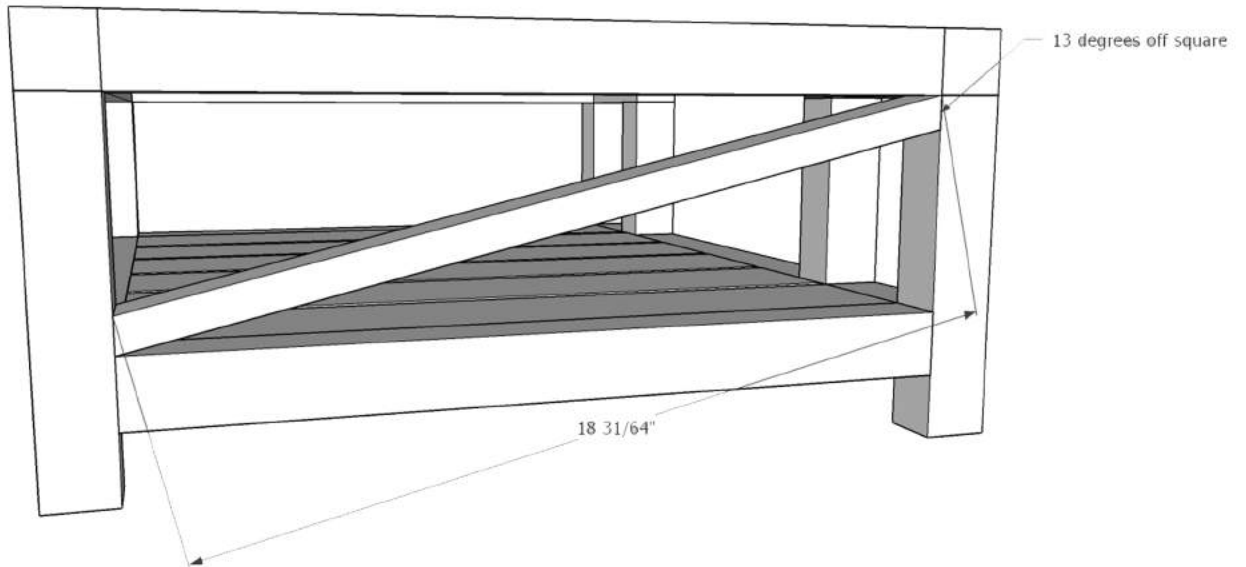
Step 4:

Attach the 1x4s to make the bottom of the dog bed. Attach using 3/4" pocket holes and 1 1/4" screws with ample glue. The spacing is roughly 3/8" in between each board. See post for additional help with this step.



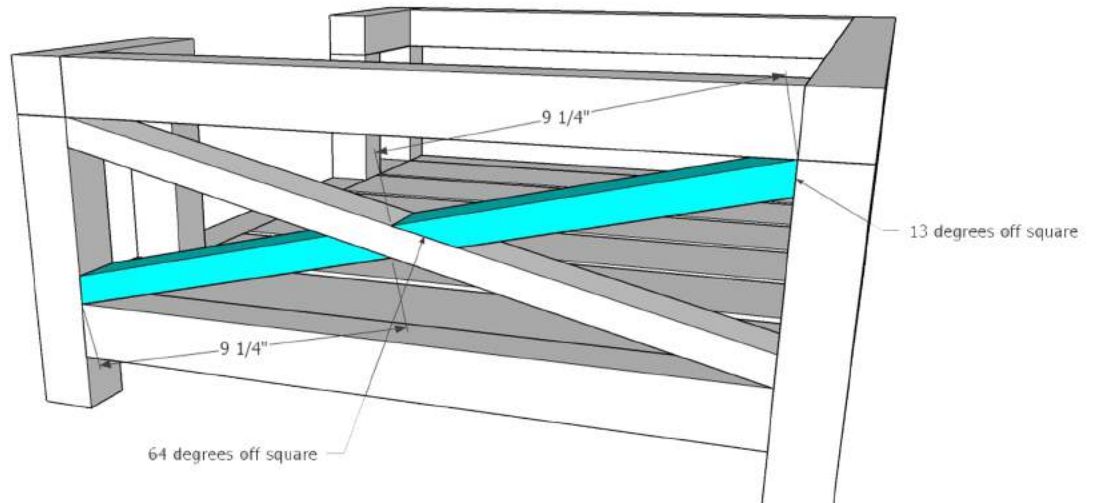
Step 5:

Using ample wood glue and a brad nailer attach solid X piece on the sides.

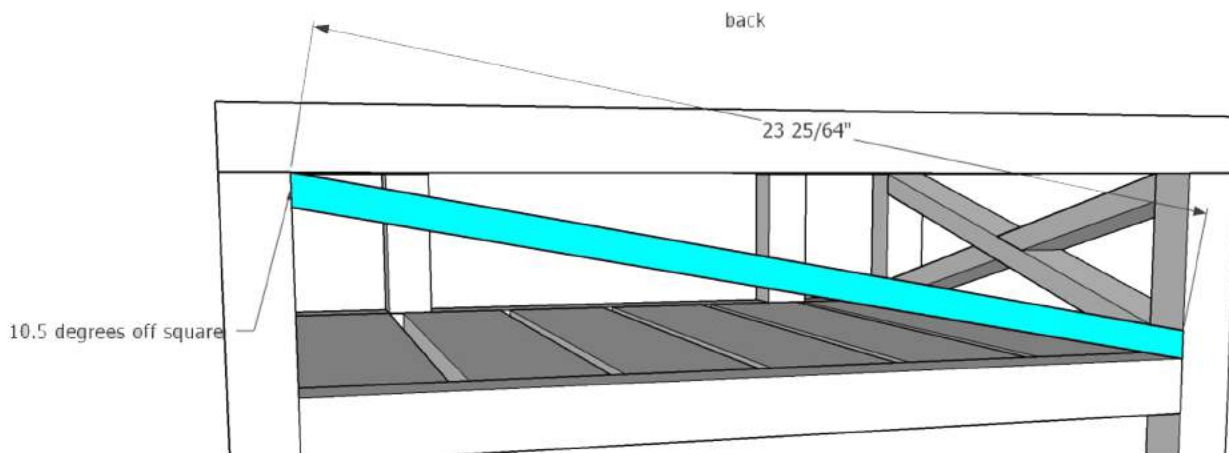


Step 6:

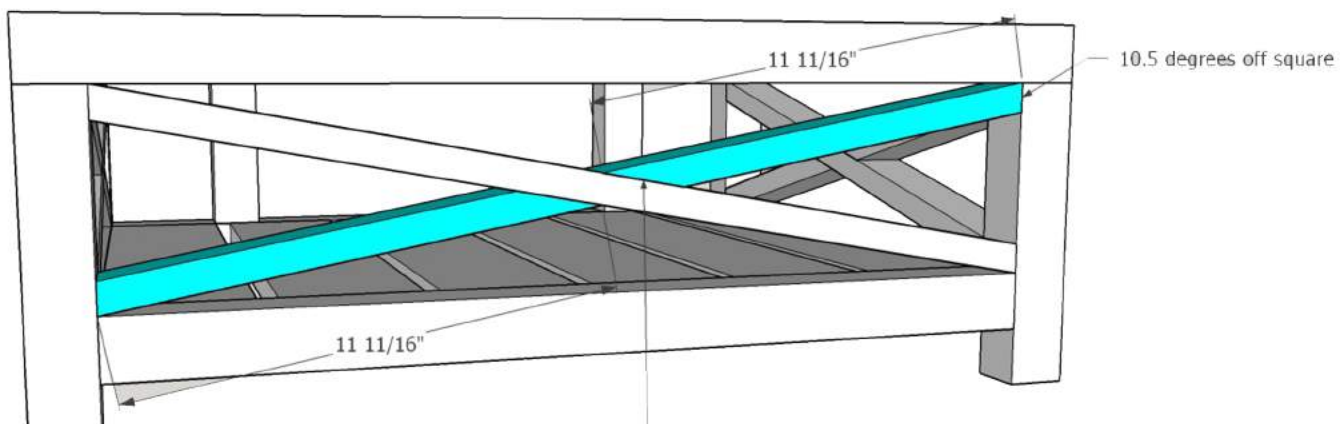
Attach X pieces on the sides. See blog post for help on attaching the pieces.



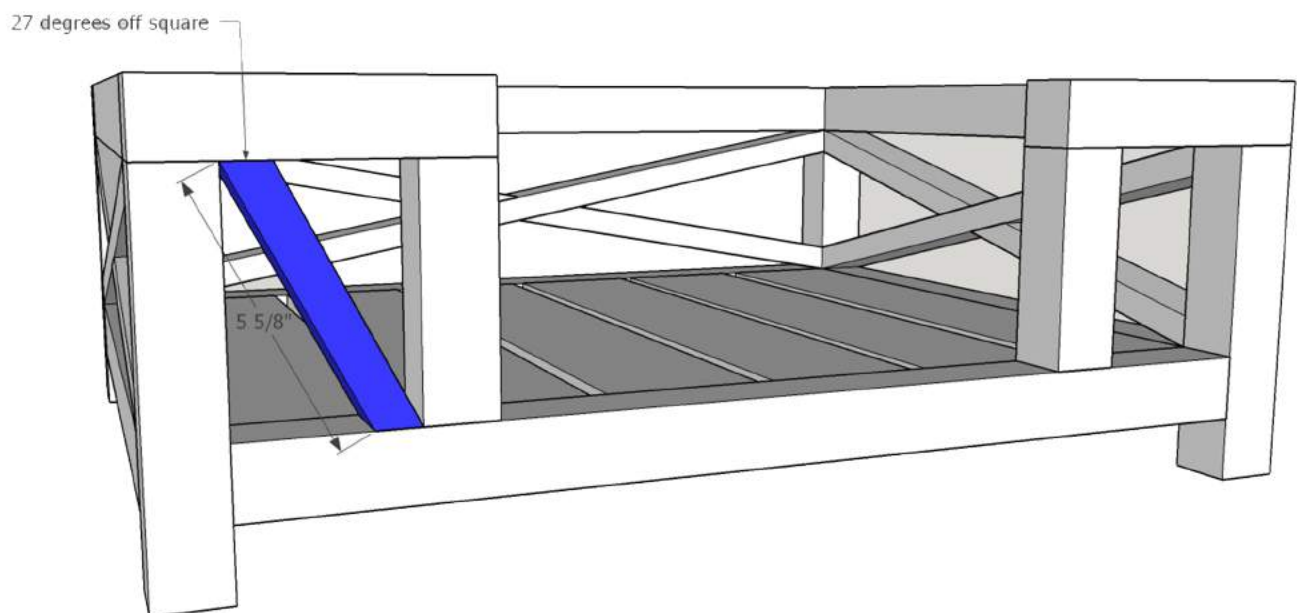
Step 7:
Attach the solid back piece.



Step 8:
Attach the back X pieces.

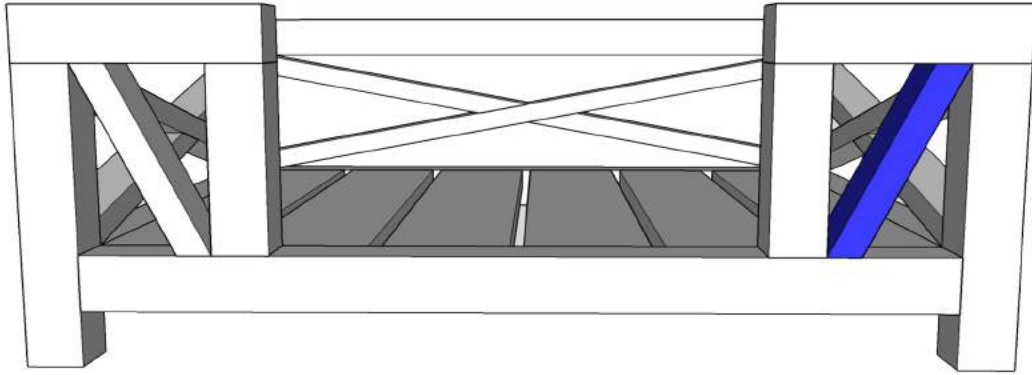


Step 9:
Attach the solid front X pieces.



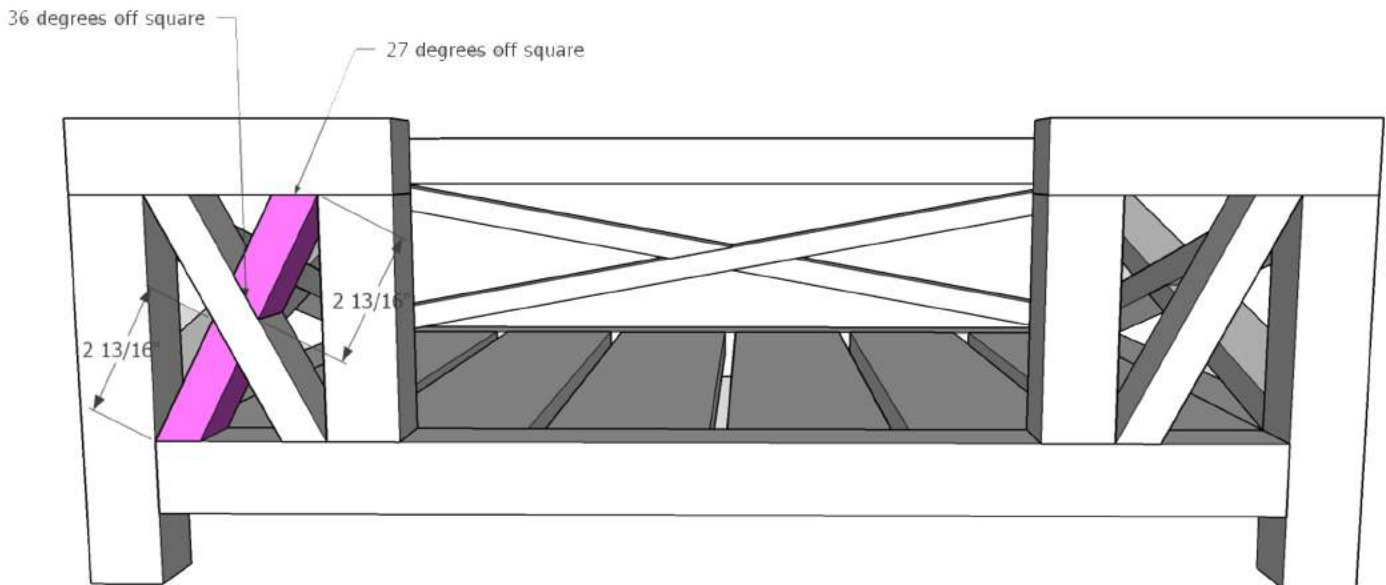
Step 10: Optional

Flip the solid X piece on the other side. I wish I would have done this on mine, but I didn't...small detail that may or may not matter to you!



Step 11:

Attach separate X pieces to the front. These are really hard to brad nail, just make sure and use lots of wood glue and kinda force them into place, it will work almost like a clamp.



Sand and finish however you would like! I used Old Barn Milk Paint Stain in Weathered.