

KOCKOFF RESTORATION HARDWARE WOOD & STEEL CONSOLE TABLE



MATERIALS-

1- 2x2 furring strip - you can buy the shortest length available because you will only need 21 inches of this

6- 2x3x8

1- 2x6x10

3- 1x6x6

2- 1x12x6

2- 1/2" x 60" galvanized pipe

4- 1/2" galvanized pipe caps

4- 6" steel wheels

CUT LIST-

4 - 2x2 @ 5 1/4"

6 - 2x3 @ 56 1/2"

2 - 2x3 @ 11 1/4"

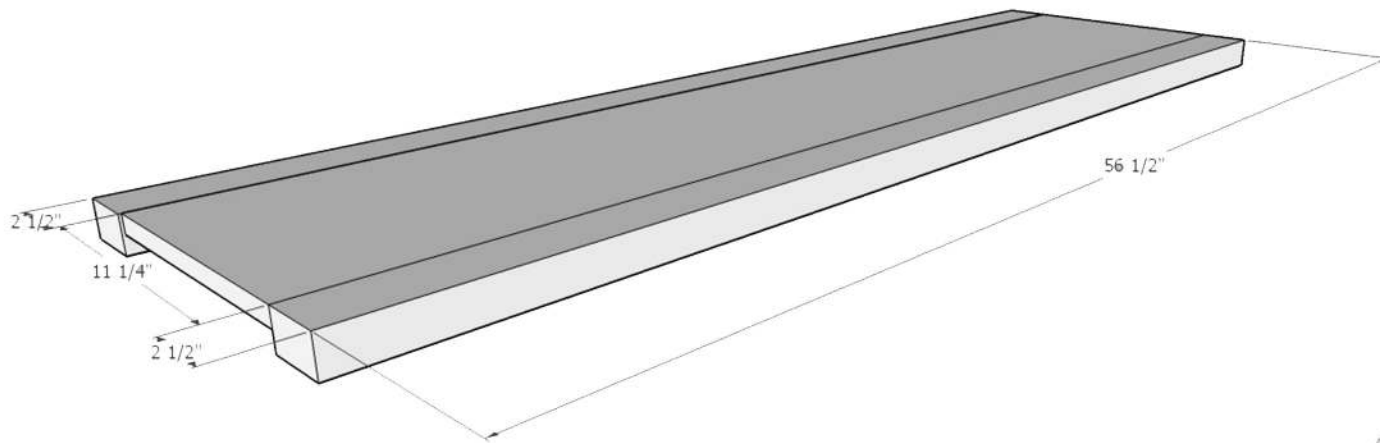
4 - 2x6 @ 27 3/4"

3 - 1x6 @ 59 1/2"

2 - 1x6 @ 11 1/4"

1- 1x12 @ 56 1/2"

1- 1x12 @ 51 1/2"

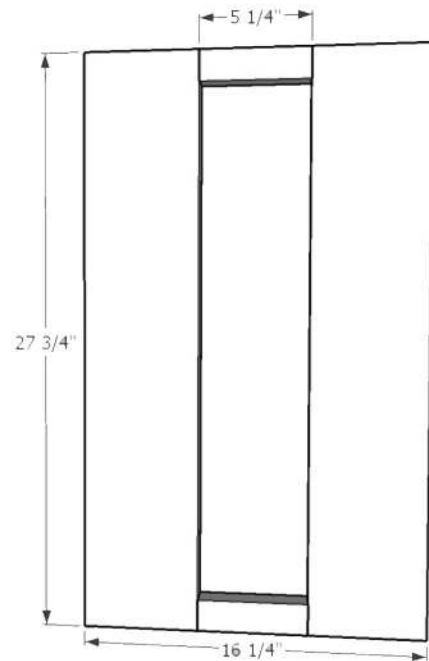


STEP 1

Using pocket holes drilled on the under side of the 1 x 12 at 3/4" all the way around the board... and screws at 1 1/4" or 1 1/2" attach with wood glue! **See blog post for more details!

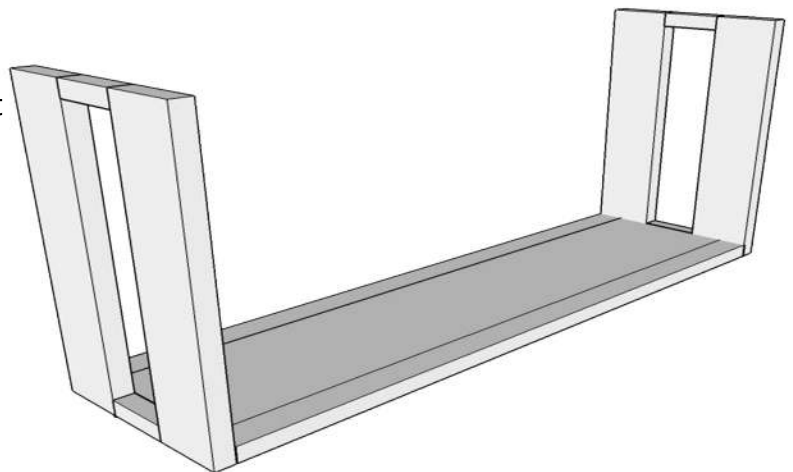
STEP 2

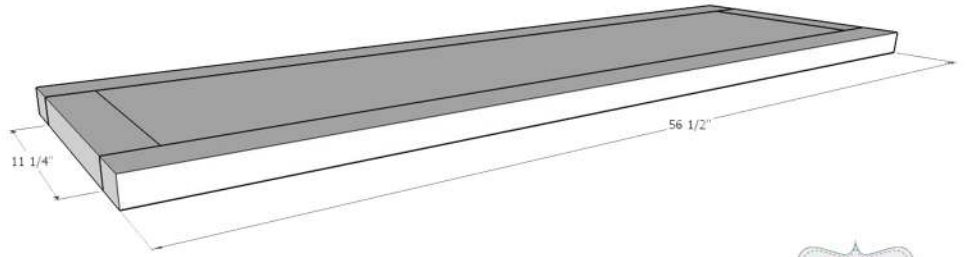
build the legs by attaching your 2x2s @ 5 1/4" to the 2x6s @ 27 3/4". Using 1 1/2" pocket holes 2 1/2" screws and wood glue to attach! You will build 2 of these.



STEP 3

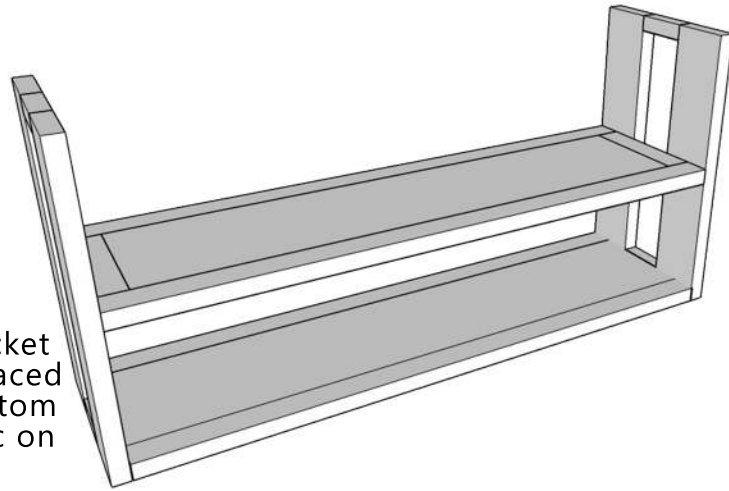
Attach the legs you built in step 2 to the base you built in step 1! Using 3/4" pocket holes that should have been drilled in step 1!





STEP 4

Next build the middle shelf - again using 3/4" pocket holes, 1 1/4" screws and wood glue. Also drilling 1 1/2" pocket holes in the short sides to attach to the legs in the next step. **The blog post goes in depth if you need help with pocket hole placement and such!



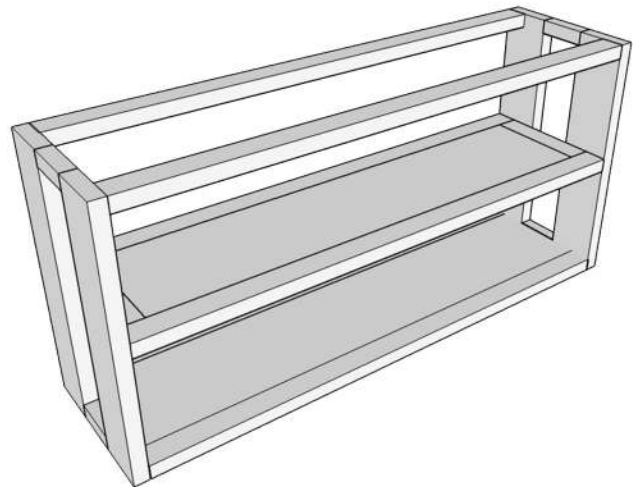
STEP 5

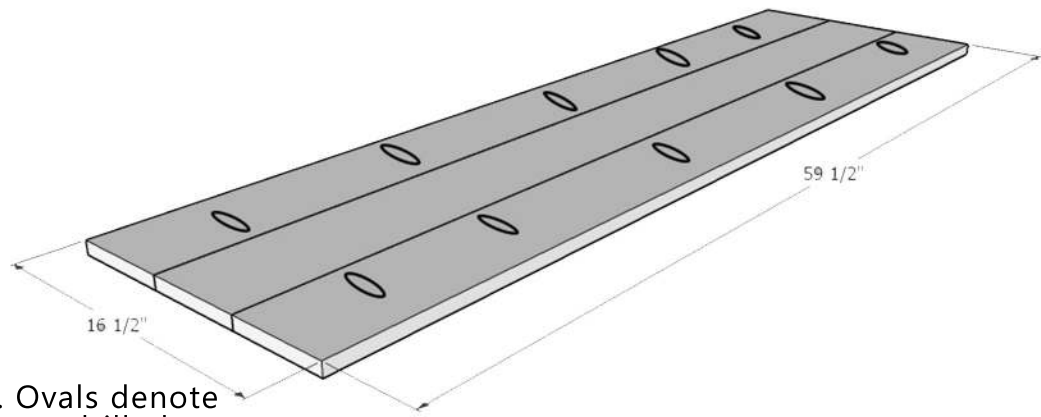
Attach the shelf to the legs using pocket holes drilled in step 4. The shelf is placed at 11 5/8" up from the top of the bottom shelf...hope that makes sense...see pic on first page if not!



STEP 6

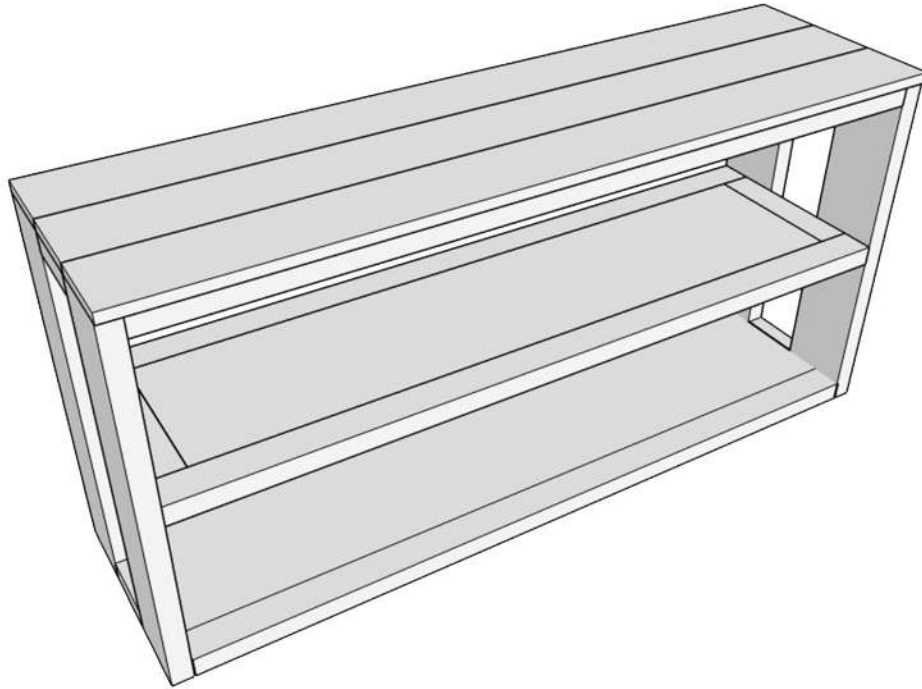
Add 2x3s for braces for the top. You will attach with 1 1/2" pocket holes and 2 1/2" screws with wood glue. On the underside of this board, you will want to drill several countersunk holes to attach the top in later steps. This is not necessary as you can just screw screws straight into this board to attach the top, this just helps the screws go in easier and makes certain that the screw heads don't stick out!





STEP 7

Next build the top of the table. Ovals denote pocket holes. The pocket holes are drilled at 3/4" and 1 1/4" screws will be used to attach.



STEP 8

Attach the top to your table base with the countersunk holes drilled in step 6. Time to add your wheels and in the post I showed how I added a block of scrap wood to level out the surface underneath to attach the wheels, so make sure and check that out! Now sand and finish any way you choose!

